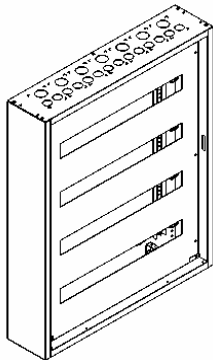
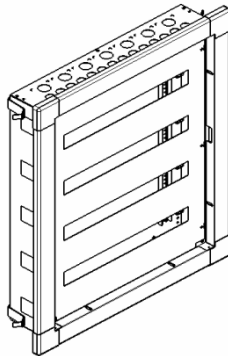


XL³ S 160 Cabinets

Cat. No(s): 3 372 02/03/04/05/06/07/08,
 337214/15/16/17/18,337222/23/24/25/26/27/28,
 337234/35/36/37/38



3 772 04



3 772 24

CONTENTS	PAGES
1. Overall description.....	1
2. Product range	1-2
3. Dimensions.....	2
4. General features	3
5. Conformity and approvals	3
6. Equipment and accessories	3-6

1. OVERALL DESCRIPTION

The enclosures XL3 S 160 are cabinets with a particular "all modular ready to re-use configuration".

Wide range of setups: 2 to 8 rows of 24 modules and 4 to 8 rows of 36 modules that comes with rails and mounted faceplates. Available in 2 metal versions, surface mounting cabinets and flush mounting cabinets.

- Compatible with DRX 125 (3 position for din)
- Easy adjustment of rail position
- Large faceplate
- High capacity
- Monobloc enclosures
- Flexibility for terminals connection (neutral/ground)
- Joining one above the other

2. PRODUCT RANGE

2.1 Surface mounting configurations

Item codes	Number of rows	Number of modules	Total number of modules
3 372 02	2	24	48
3 372 03	3	24	72
3 372 04	4	24	96
3 372 05	5	24	120
3 372 06	6	24	144
3 372 07	7	24	168
3 372 08	8	24	192
3 372 14	4	36	144
3 372 15	5	36	180
3 372 16	6	36	216
3 372 17	7	36	252
3 372 18	8	36	288

2.2 Flush mounting configurations

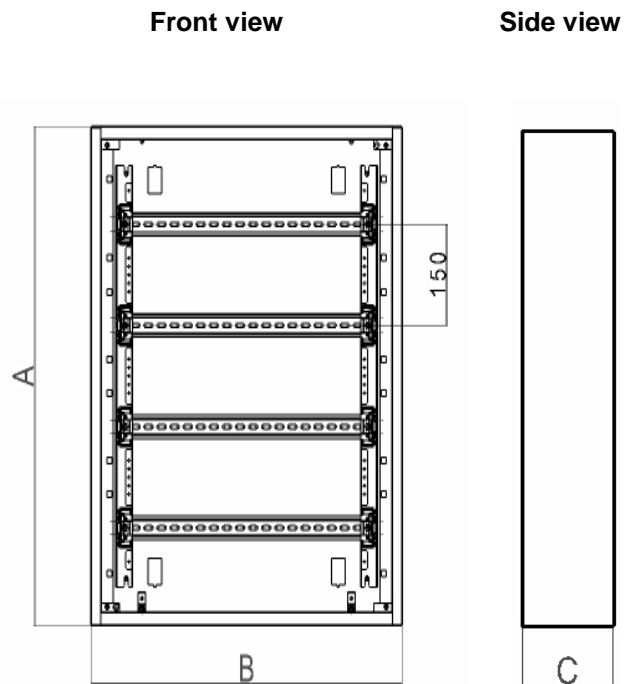
Item codes	Number of rows	Number of modules	Total number of modules
3 372 22	2	24	48
3 372 23	3	24	72
3 372 24	4	24	96
3 372 25	5	24	120
3 372 26	6	24	144
3 372 27	7	24	168
3 372 28	8	24	192
3 372 34	4	36	144
3 372 35	5	36	180
3 372 36	6	36	216
3 372 37	7	36	252
3 372 38	8	36	288

2.3 Flush mounting configurations

Item size	Number of faceplates	Configuration of faceplates
2 rows	1	1x2 rows
3 rows	1	1x3 rows
4 rows	1	1x4 rows
5 rows	1	1x5 rows
6 rows	2	2x3 rows
7 rows	2	1x4 rows+1x3 rows
8 rows	2	2x4 rows

3. DIMENSIONS

3.1 Surface mounting version

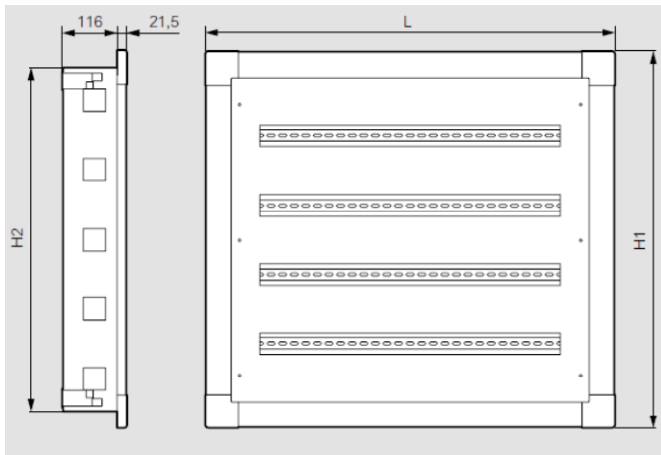


ITEM	A	B	C
3 372 02	440	595	135
3 372 03	590	595	135
3 372 04	740	595	135
3 372 05	890	595	135
3 372 06	1040	595	135
3 372 07	1190	595	135
3 372 08	1340	595	135
3 372 14	740	810	135
3 372 15	890	810	135
3 372 16	1040	810	135
3 372 17	1190	810	135
3 372 18	1340	810	135

3.2 Flush mounting version

Side view

Front view



Cat n°s	H1	H2	L
3 372 22	512	440	667
3 372 23	662	590	667
3 372 24	812	740	667
3 372 25	962	890	667
3 372 26	1112	1040	667
3 372 27	1262	1190	667
3 372 28	1412	1340	667
3 372 34	812	740	883
3 372 35	962	890	883
3 372 36	1112	1040	883
3 372 37	1262	1190	883
3 372 38	1412	1340	883

4. GENERAL FEATURES

4.1 Technical properties

- Degree of protection : IP30 - IK04 without door
IP40 - IK07 with door
- Color of the cabinet : White RAL 9003
- Short-circuit Intensity Icc 17 kA
- Storage and usage temperatures: -5 °C to +40°C
- Maximum permissible current 160 A

4.2 Materials

- Frontal panel : steel 1.2 mm thickness
- Door : steel 1.2 mm thickness
- Chassis : steel 1 mm thickness
- Adjustment bracket :
Self-extinguishing polycarbonate reinforced with 10% glass fiber >PC-GF10 FR<
UL 94 / IEC 60695-11-10 classification (thickness 0,8; 1,6; 3,2 mm) - ;V1 ;V2
- Slider for DIN rails : Polyamide 66 >PA66<

5. CONFORMITY AND APPROVALS

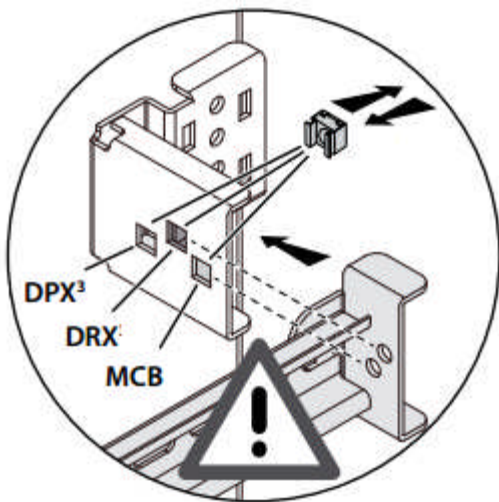
- Conform with standards: IEC 61439-1 and IEC 61439-3
- Fire resistance according to IEC 60695-2-1 750°C/s

6. EQUIPMENT AND ACCESSORIES

6.1 Equipment

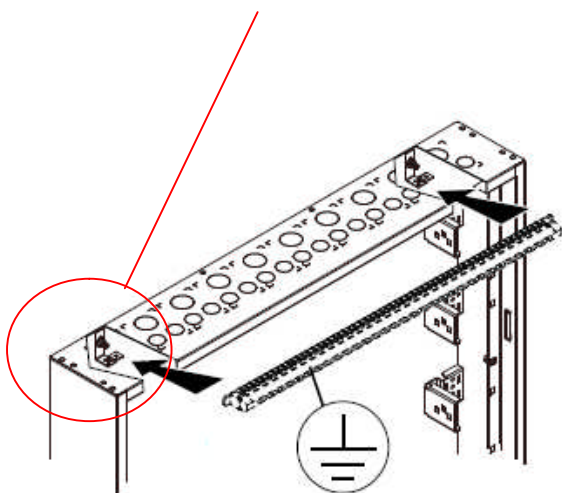
The cabinets are suitable for installation of different types of equipments:

- DPX³
- DRX
- Modular switches (MCB)

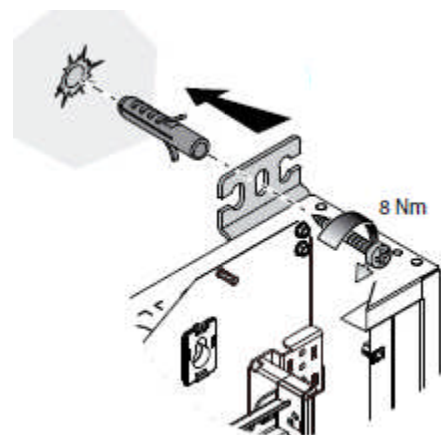
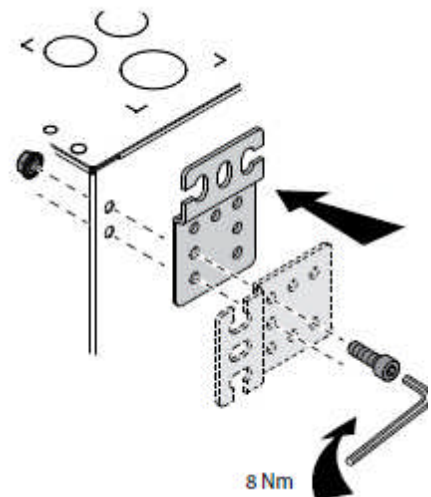
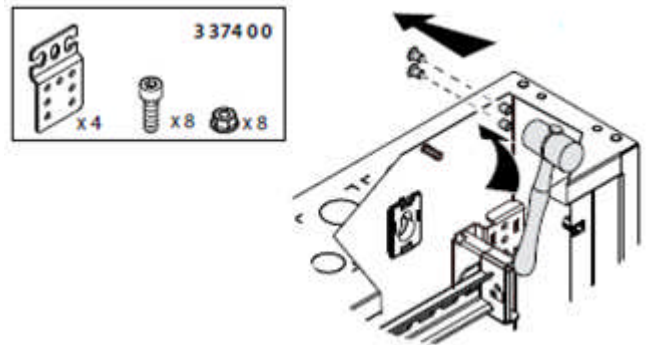


6.2 Ground connection

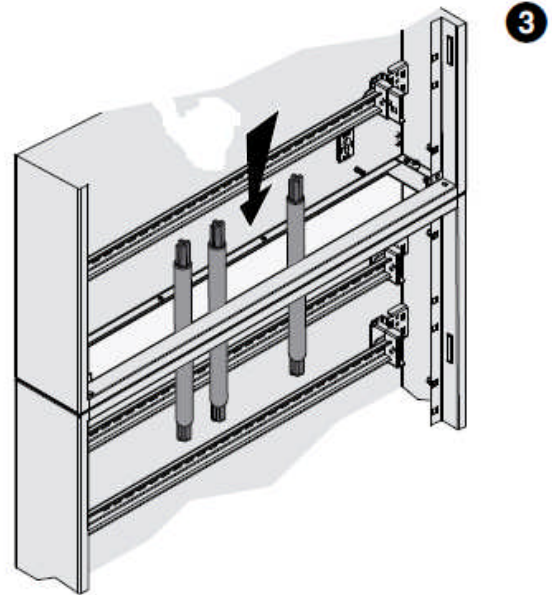
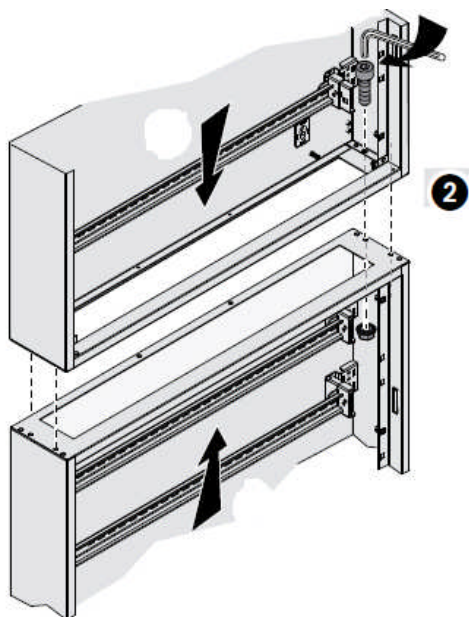
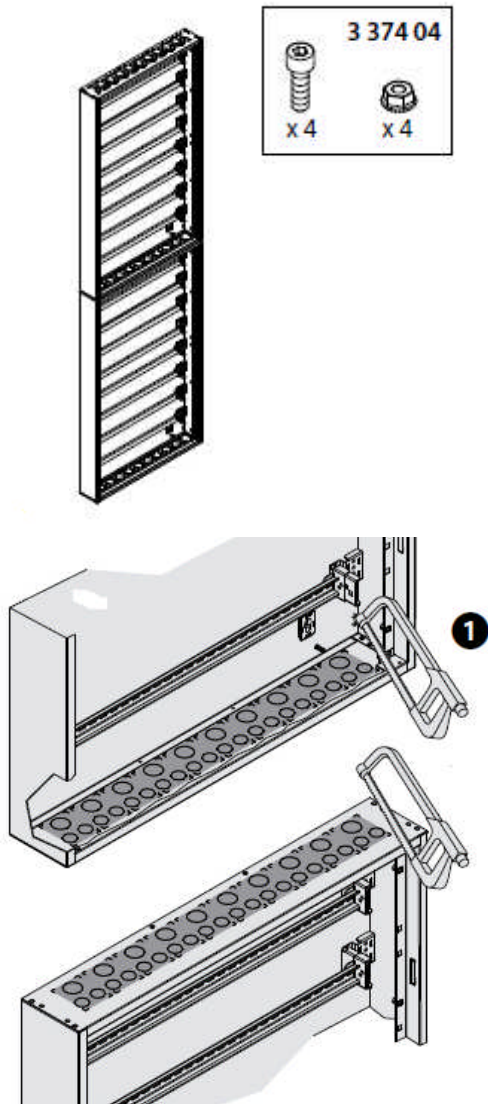
Provided with the support for the ground connection.



6.3 Mounting brackets installation



6.4 Joining kit installation



6.5 Knockouts size and number

ISO DIAMETER

Number of modules	Circular knockouts number and diameter
24	14 (25,4 mm)
	7 (32,5 mm)
36	20 (25,4 mm)
	10 (32,5 mm)

Number of modules	Rectangular knockouts number and dimensions
24	7 (62 x 80) mm
36	10 (62 x 80) mm

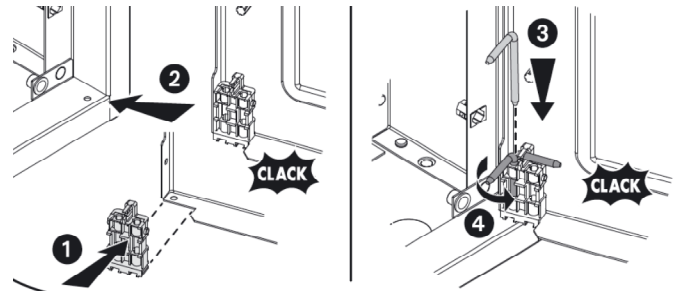
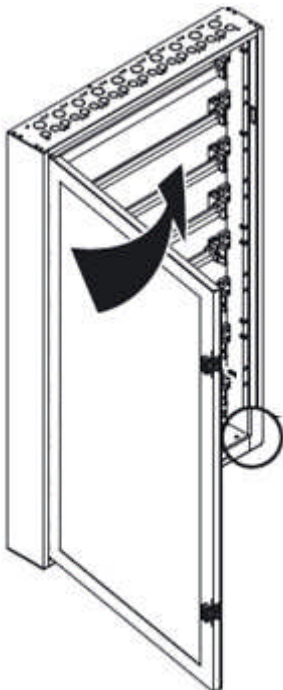
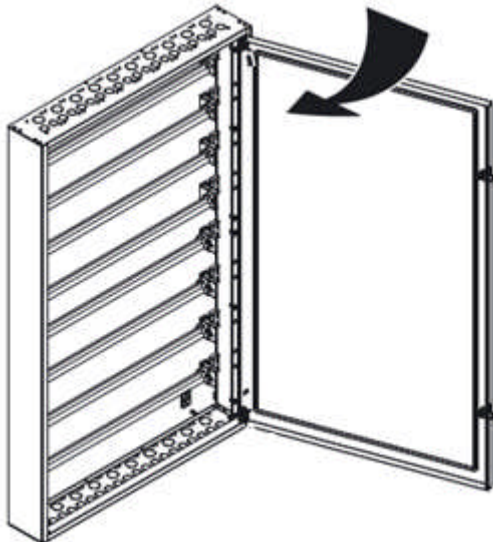
XL³ S 160 Cabinets

Cat. No(s): 3 372 02/03/04/05/06/07/08,
337214/15/16/17/18, 337222/23/24/25/26/27/28,
337234/35/36/37/38

6.6 Accessories

DOORS

- Completely reversible door



PLAIN DOORS

Ref. Number	Rows and modules	High	Width	N of locks
3 372 52	2 x 24	394	547	1
3 372 53	3 x 24	544	547	1
3 372 54	4 x 24	694	547	1
3 372 55	5 x 24	844	547	1
3 372 56	6 x 24	994	547	1
3 372 57	7 x 24	1044	547	2
3 372 58	8 x 24	1194	547	2
3 372 64	4 x 36	694	747	1
3 372 65	5 x 36	844	747	1
3 372 66	6 x 36	994	747	1
3 372 67	7 x 36	1044	747	2
3 372 68	8 x 36	1194	747	2

GLASS DOORS

Ref. Number	Rows and modules	High	Width	N of locks
3 372 72	2 x 24	394	547	1
3 372 73	3 x 24	544	547	1
3 372 74	4 x 24	694	547	1
3 372 75	5 x 24	844	547	1
3 372 76	6 x 24	994	547	1
3 372 77	7 x 24	1044	547	2
3 372 78	8 x 24	1194	547	2
3 372 84	4 x 36	694	747	1
3 372 85	5 x 36	844	747	1
3 372 86	6 x 36	994	747	1
3 372 87	7 x 36	1044	747	2
3 372 88	8 x 36	1194	747	2